

4M

RESOLUTION NO. R-25-20

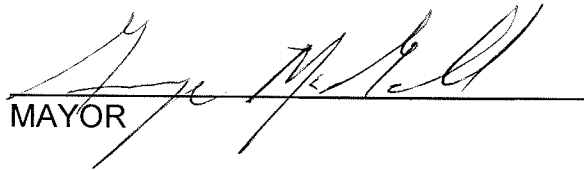
**RESOLUTION AUTHORIZING THE PURCHASE OF
ONE (1) COMPACT PIECE OF CONSTRUCTION EQUIPMENT**

BE IT RESOLVED BY THE BOARD OF DIRECTORS OF THE CITY OF FORT SMITH, ARKANSAS, THAT:

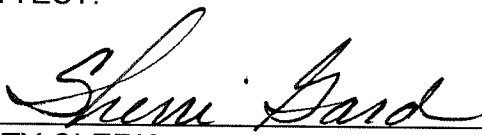
The quote, attached, for the purchase of one (1) 2020 Caterpillar 262D from Riggs Caterpillar for \$45,299.23 is hereby accepted.

This resolution adopted this 4th day of February, 2020.

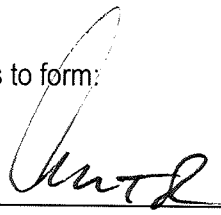
APPROVED:


MAYOR

ATTEST:


CITY CLERK

Approved as to form:


NPR



SOURCEWELL – Quote 262 Skid Steer

January 20, 2020

CITY OF FORT SMITH
SANITATION DEPARTMENT
5900 COMMERCE RD
FORT SMITH, Arkansas 72916-8370

Dear Terry Rankin,

We are pleased to quote the following for your purchase consideration.

One (1) New Caterpillar Model: 262D A Compact Construction Equipment with all standard equipment in addition to the additional specifications listed below:

Table with 4 columns: STOCK NUMBER, SERIAL NUMBER, YEAR, SMU. Rows include SELL PRICE, NET BALANCE DUE, and TAXABLE BALANCE.

F.O.B/TERMS: Fort Smith, AR
Total List Price \$64,808.00
Contract Discount -21.00% (\$13,609.68)
Sub-Total after discount \$51,198.32
Freight Charge \$0.00
Prep and Delivery \$1,768.00
24 Months / 2,000 Hours Premier Warranty \$0.00
Machine Volume Discount (\$7,667.09)
Final Price \$45,299.23

Contract# 032119-CAT

WARRANTY

Standard Warranty: 12 Month/Unlimited Hours Full Machine – 2 yr/2000 Hour Prem (no travel, whichever comes first)

Thank you for your interest in Riggs CAT and Caterpillar products for your business needs. This quotation is valid for 30 days, after which time we reserve the right to re-quote. If there are any questions, please do not hesitate to contact me.

Sincerely,

James Carter
Machine Sales Representative Riggs CAT
CarterJ@jariggs.com
+1 (479) 259-5374

Accepted by _____ on _____

Signature

**One (1) New Caterpillar Model: 262D A Compact Construction Equipment with all standard equipment in addition to the additional specifications listed below:
Standard Equipment**

POWERTRAIN

Cat C3.3B diesel engine
-Gross horsepower per SAE J1349
74.3 hp (55.4 kW) @ 2400 RPM
-Electric fuel priming pump
-Glow plugs starting aid
-Liquid cooled, direct injection
Air cleaner, dual element, radial seal
S-O-S sampling valve, hydraulic oil
Filter, cartridge type, hydraulic

Filters, canister type, fuel
and water separator
Radiator / hydraulic oil
cooler (side-by-side)
Spring applied, hydraulically released,
parking brakes
Hydrostatic transmission
Four wheel chain drive

HYDRAULICS

ISO or H pattern controls:
Electro/hydraulic implement control

Electro/hydraulic hydrostatic
transmission control

ELECTRICAL

12 volt electrical system
80 ampere alternator
Ignition key start/stop/aux switch
Lights:
-Gauge backlighting

-Two rear tail lights
-Dome light
Backup alarm
Electrical outlet, beacon

OPERATOR ENVIRONMENT

Operator warning system indicators:
-Air filter restriction
-Alternator output
-Armrest raised/operator out of seat
-Engine coolant temperature
-Engine oil pressure
-Glow plug activation
-Hydraulic filter restriction
-Hydraulic oil temperature
-Park brake engages
-Engine emission system
Gauges: fuel level and hour meter
Storage compartment with netting
Ergonomic contoured armrest
Control interlock system, when operator

leaves seat or armrest raised:
-Hydraulic system disables
-Hydrostatic transmission disables
-Parking brake engages
ROPS cab, open, tilt up
Anti-theft security system w/6-button
keypad
FOPS, level I
Top and rear windows
Floomat
Interior rear view mirror
USB charging port
Horn
Hand (dial) throttle, electronic

FRAMES

Lift linkage, vertical path
Chassis, one piece welded
Machine tie down points (6)

Belly pan cleanout
Support, lift arm
Rear bumper, welded

OTHER STANDARD EQUIPMENT

Engine enclosure - lockable
Extended life antifreeze (-37C, -34F)
Work tool coupler
Hydraulic oil level sight gauge
Radiator coolant level sight gauge
Radiator expansion bottle
Cat ToughGuard TM hose

Heavy duty flat faced quick disconnects
with integrated pressure release
Split D-ring to route work tool hoses
along side of left lift arm
Variable speed hydraulic cooling fan
Per SAE J818-2007 and EN 474-3:2006 and
ISO 14397-1:2007

MACHINE SPECIFICATIONS

262D3 SKID STEER LOADER	512-4262
CAB PACKAGE, PRO PLUS	577-2307
HYDRAULICS, PERFORMANCE, (H2)	512-4318
CONTROL, ISO, PROP, WT	512-4115
POWERTRAIN, TWO SPEED	512-4178
LIGHTS, HALOGEN	495-1672
ROPS, ENCLOSED WITH A/C (C3)	512-4195
DISPLAY, ADVANCED, LCD, CAMERA	416-9265
FAN, COOLING, DEMAND	486-6957
QUICK COUPLER, HYDRAULIC	512-3404
SEAT, AIR SUSPENSION, CLOTH, HEAT	536-9738
DOOR, CAB, GLASS	539-8060
RADIO, AM/FM, BLUETOOTH	345-6180
RIDE CONTROL	556-5899
FILM, TWO SPEED	568-4700
BATTERY, HEAVY DUTY, 850 CCA	568-5606
REAR LIGHTS	356-6082
SEAT BELT, 2"	542-6994
PRODUCT LINK, CELLULAR PL641	573-8121
TIRES, 12X16.5 CAT 14PR XD	252-0346
CERTIFICATION ARR, P65	563-1163
INSTRUCTIONS, ANSI, USA	512-3741
FILM, ENGINE, ANSI, USA	416-5687
SERIALIZED TECHNICAL MEDIA KIT	421-8926
FILM, SELF LEVEL, ANSI	435-9238
FILM, RIDE CONTROL, ANSI	422-3445

NO BUCKET OR FORKS INCLUDED



Cat[®] 262D

SKID STEER LOADER

FEATURES:

The Cat[®] 262D Skid Steer Loader, with its vertical lift design, delivers extended reach and lift height for quick and easy truck loading. Its stability and lifting performance provides excellent material handling. The 262D features the following:

- **Industry leading sealed and pressurized cab option** provides a cleaner and quieter operating environment with excellent work tool visibility.
- **Available high-back, heated, air ride seat with seat mounted adjustable joystick controls** makes the D Series the industry leader in operator comfort.
- **High performance power train** provides maximum performance and production capability through the Electronic Torque Management system, optional two speed travel and an industry exclusive electronic hand/foot throttle with decel pedal capability.
- **High Flow XPS hydraulic system** is available for applications that demand maximum hydraulic work tool performance.
- **Electronically controlled Cat C3.3B engine** provides high horsepower and torque while meeting U.S. EPA Tier 4 Final (EU Stage IIIB) emission standards.
- **Cat "Intelligent Leveling" system (ILEV)** provides industry leading technology, integration and optional features such as dual direction self level, work tool return to dig and work tool positioner.
- **Speed Sensitive Ride Control option** improves operation on rough terrain, enabling better load retention, increased productivity and greater operator comfort.
- **Maximize machine capability and control** with optional Advanced Display providing on-screen adjustments for implement response, hystat response and creep control. Also features multi-language functionality with customizable layouts, security system and rearview camera.
- **Ground level access** to all daily service and routine maintenance points helps reduce machine downtime for greater productivity.
- **Broad range of performance matched Cat Work Tools** make the Cat Skid Steer Loader the most versatile machine on the job site.

Specifications

Engine

Engine Model	Cat C3.3B DIT (turbo)	
Gross Power SAE J1995	55.4 kW	74.3 hp
Net Power SAE 1349	54.4 kW	72.9 hp
Net Power ISO 9249	54.9 kW	73.7 hp
Peak Torque at 1,500 rpm SAE J1995	265 N-m	195 lbf-ft
Displacement	3.3 L	203 in ³
Stroke	120 mm	4.7 in
Bore	94 mm	3.7 in

Weights*

Operating Weight	3634 kg	8,011 lb
------------------	---------	----------

Power Train

Travel Speed (Forward or Reverse):		
One Speed	12.5 km/h	7.7 mph
Two Speed Option	17.7 km/h	11.0 mph

Operating Specifications*

Rated Operating Capacity	1225 kg	2,700 lb
Rated Operating Capacity with Optional Counterweight	1338 kg	2,950 lb
Tipping Load	2449 kg	5,400 lb
Breakout Force, Tilt Cylinder	3336 kg	7,355 lb

Hydraulic System

Hydraulic Flow – Standard:		
Loader Hydraulic Pressure	23 000 kPa	3,335 psi
Loader Hydraulic Flow	86 L/min	23 gal/min
Hydraulic Power (calculated)	33 kW	44 hp
Hydraulic Flow – High Flow XPS:		
Maximum Loader Hydraulic Pressure	28 000 kPa	4,061 psi
Maximum Loader Hydraulic Flow	121 L/min	32 gal/min
Hydraulic Power (calculated)	57 kW	76 hp

Cab

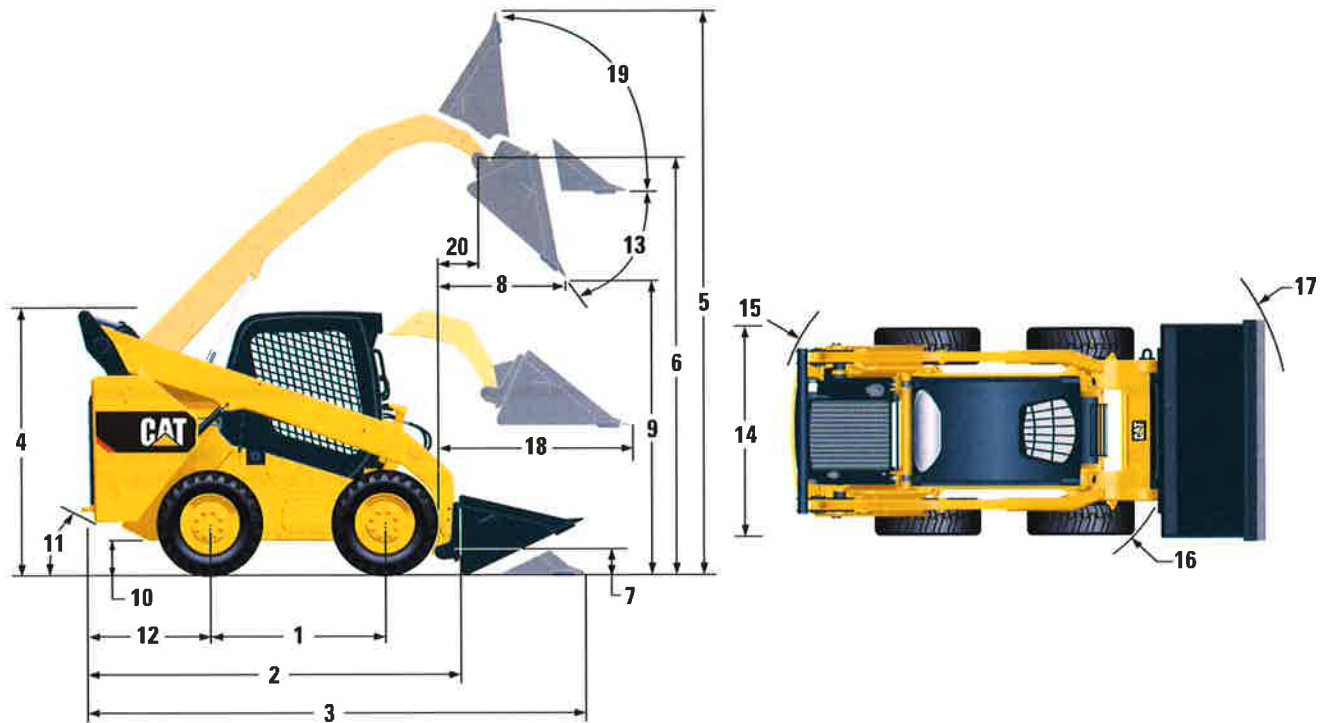
ROPS	ISO 3471:2008
FOPS	ISO 3449:2005 Level I
FOPS Level II	ISO 3449:2005 Level II

Service Refill Capacities

Chain Box, each side	12.7 L	3.3 gal
Cooling System	14 L	3.7 gal
Engine Crankcase	11 L	3.0 gal
Fuel Tank	94 L	24.8 gal
Hydraulic System	52 L	13.7 gal
Hydraulic Tank	39 L	10.3 gal



262D Skid Steer Loader



Dimensions*

1	Wheelbase	1249 mm	49.2 in
2	Length without Bucket	2995 mm	117.9 in
3	Length with Bucket on Ground	3714 mm	146.2 in
4	Height to Top of Cab	2110 mm	83.1 in
5	Maximum Overall Height	4008 mm	157.8 in
6	Bucket Pin Height at Maximum Lift	3172 mm	124.9 in
7	Bucket Pin Height at Carry Position	200 mm	7.9 in
8	Reach at Maximum Lift and Dump	786 mm	30.9 in
9	Clearance at Maximum Lift and Dump	2380 mm	93.7 in
10	Ground Clearance	226 mm	8.9 in
11	Departure Angle		26°
12	Bumper Overhang behind Rear Axle	1083 mm	42.6 in
13	Maximum Dump Angle		51°
14	Vehicle Width over Tires	1676 mm	66 in
15	Turning Radius from Center – Machine Rear	1805 mm	71.1 in
16	Turning Radius from Center – Coupler	1401 mm	55.2 in
17	Turning Radius from Center – Bucket	2181 mm	85.9 in
18	Maximum Reach with Arms Parallel to Ground	1293 mm	50.9 in
19	Rack Back Angle at Maximum Height		84°
20	Bucket Pin Reach at Maximum Lift	393 mm	15.5 in

*Operating Weight, Operating Specifications and Dimensions all based on 75 kg (165 lb) operator, all fluids, one speed, OROPS, 1676 mm (66 in) dirt bucket, Cat PC 12 x 16.5 tires, standard flow hydraulics, mechanical suspension seat, no optional counterweights and manual quick coupler (unless otherwise noted).

MANDATORY EQUIPMENT

- Hydraulics, Standard or High Flow XPS
- Quick Coupler, Mechanical or Electric
- Seat Belt, 50 mm (2 in) or 75 mm (3 in)
- Power Train: One Speed, One Speed with Ride Control, Two Speed or Two Speed with Ride Control

PERFORMANCE PACKAGES

- Performance Package H1: *Standard Flow Hydraulics (No Self Level)*
- Performance Package H2: *Standard Flow, Dual Direction Electronic Self Level (Raise and Lower), Electronic Snubbing (Raise and Lower)*
- Performance Package H3: *High Flow XPS, Dual Direction Electronic Self Level (Raise and Lower), Electronic Snubbing (Raise and Lower)*

STANDARD EQUIPMENT

ELECTRICAL

- 12 volt Electrical System
- 80 ampere Alternator
- Ignition Key Start/Stop Switch
- Lights: *Gauge Backlighting, Two Rear Tail Lights, Two Rear Halogen Working Lights, Two Adjustable Front Halogen Lights, Dome Light*
- Backup Alarm
- Heavy Duty Battery, 880 CCA

OPERATOR ENVIRONMENT

- Gauges: *Fuel Level, Hour Meter*
- Operator Warning System Indicators: *Air Filter Restriction, Alternator Output, Armrest Raised/Operator Out of Seat, Engine Coolant Temperature, Engine Oil Pressure, Glow Plug Activation, Hydraulic Filter Restriction, Hydraulic Oil Temperature, Park Brake Engaged, Engine Emission System*
- Adjustable Vinyl Seat
- Fold In Ergonomic Contoured Armrest
- Control Interlock System, when operator leaves seat or armrest raised: *Hydraulic System Disables, Hydrostatic Transmission Disables, Parking Brake Engages*
- ROPS Cab, Open, Tilt Up
- FOPS, Level I
- Top and Rear Windows
- Floor Mat
- Interior Rearview Mirror
- 12 volt Electric Socket
- Horn
- Hand (Dial) Throttle, Electronic
- Adjustable Joystick Controls
- Anti-theft Security System with 6-button Keypad
- Storage Compartment with Netting

OPTIONAL EQUIPMENT

- Hand-Foot Style Controls
- External Counterweights
- Beacon, Rotating
- Engine Block Heater – 120V
- Oil, Hydraulic, Cold Operation
- Paint, Custom
- Heavy Duty Battery, 1,000 CCA

COMFORT PACKAGES

- Open ROPS (C0): *Static Seat (No Foot Throttle, Headliner, Heater or Door)*
- Open ROPS (C1): *Foot Throttle, Headliner, Cup Holder, and choice of Seat (Mechanical Suspension or High Back, Heated, Air Ride Seat) (No Heater or Door)*
- Enclosed ROPS with Heater (C2): *Foot Throttle, Headliner, Heater and Defroster, Side Windows, Cup Holder, Radio Ready, choice of Seat (Mechanical Suspension or High Back, Heated, Air Ride Seat) and Door (Glass or Polycarbonate)*
- Enclosed ROPS with A/C (C3): *C2 + Air Conditioner*

POWER TRAIN

- Cat C3.3B, Turbo Diesel Engine, Meeting U.S. EPA Tier 4 Final (EU Stage IIIB) Emission Standards
- Air Cleaner, Dual Element, Radial Seal
- S-O-SSM Sampling Valve, Hydraulic Oil
- Filters, Cartridge-type, Hydraulic
- Filters, Cartridge-type, Fuel and Water Separator
- Radiator/Hydraulic Oil Cooler (side-by-side)
- Spring Applied, Hydraulically Released Parking Brakes
- Hydrostatic Transmission
- Four Wheel Chain Drive

OTHER

- Engine Enclosure, Lockable
- Extended Life Antifreeze, –37° C (–34° F)
- Machine Tie Down Points (6)
- Support, Lift Arm
- Hydraulic Oil Level Sight Gauge
- Radiator Coolant Level Sight Gauge
- Radiator, Expansion Bottle
- Cat ToughGuard™ Hose
- Auxiliary, Hydraulics, Continuous Flow
- Heavy Duty, Flat Faced Quick Disconnects with Integrated Pressure Release
- Split D-Ring to Route Work Tool Hoses Along Side of Left Lift Arm
- Electrical Outlet, Beacon
- Belly Pan Cleanout
- Variable Speed Demand Fan

- Product Link™, Cellular
- Advanced Display: Full Color, 5 in LCD screen, Advanced Multi-operator Security System, On-screen Adjustments for Implement Response, Hystat Response, and Creep Control; Rearview Camera Ready
- Advanced Display: Rearview Camera Included
- Work Tool Return to Dig and Work Tool Positioner
- Bluetooth Radio with Microphone (AM/FM/Weather Band Receiver with USB and Auxiliary Input Jack)

262D Skid Steer Loader

For more complete information on Cat products, dealer services, and industry solutions, visit us on the web at www.cat.com

© 2016 Caterpillar
All rights reserved

Materials and specifications are subject to change without notice. Featured machines in photos may include additional equipment. See your Cat dealer for available options.

CAT, CATERPILLAR, SAFETY.CAT.COM, their respective logos, "Caterpillar Yellow" and the "Power Edge" trade dress, as well as corporate and product identity used herein, are trademarks of Caterpillar and may not be used without permission.

AEHQ7007-02 (04-2016)
Replaces AEHQ7007-01
(NACD, EU)

