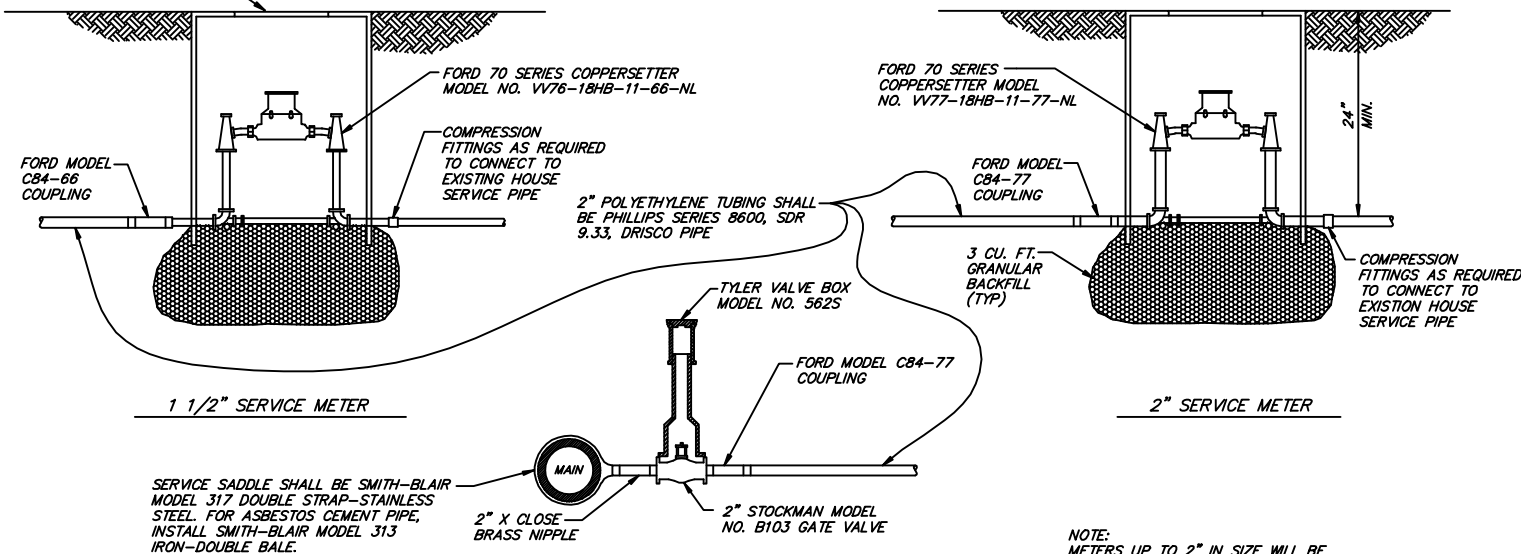


- NOTES:
1. ALL VALVES AND HYDRANTS SHALL BE SET IN TRUE VERTICAL POSITION.
  2. FIRE HYDRANT ASSEMBLY INCLUDES HYDRANT, ALL FITTINGS, VALVE, VALVE BOX, PIPE TO MAIN LINE, AND CONCRETE FOR COLLAR AND BLOCKING.
  3. ALL PIPE TO BE 6" DUCTILE IRON FROM MAIN TO HYDRANT WITH SWJEL OR RESTRAINED MECHANICAL JOINTS.
  4. HYDRANT SHALL BE OF THE DRY BARREL TYPE AND SHALL HAVE 2 2-1/2" HOSE NOZZLES AND 1 4-1/2" PUMPER NOZZLE.
  5. LATERAL PIPE AND VALVE TO BE INCLUDED IN FIRE HYDRANT BID ITEM.

FIRE HYDRANT ASSEMBLY  
N.T.S.  
WA.2.1

28"x30" METER BOX ASSEMBLY AS MANUFACTURED BY EAST JORDAN IRON WORKS, PRODUCT NUMBER 32143001A14, OR APPROVED EQUAL



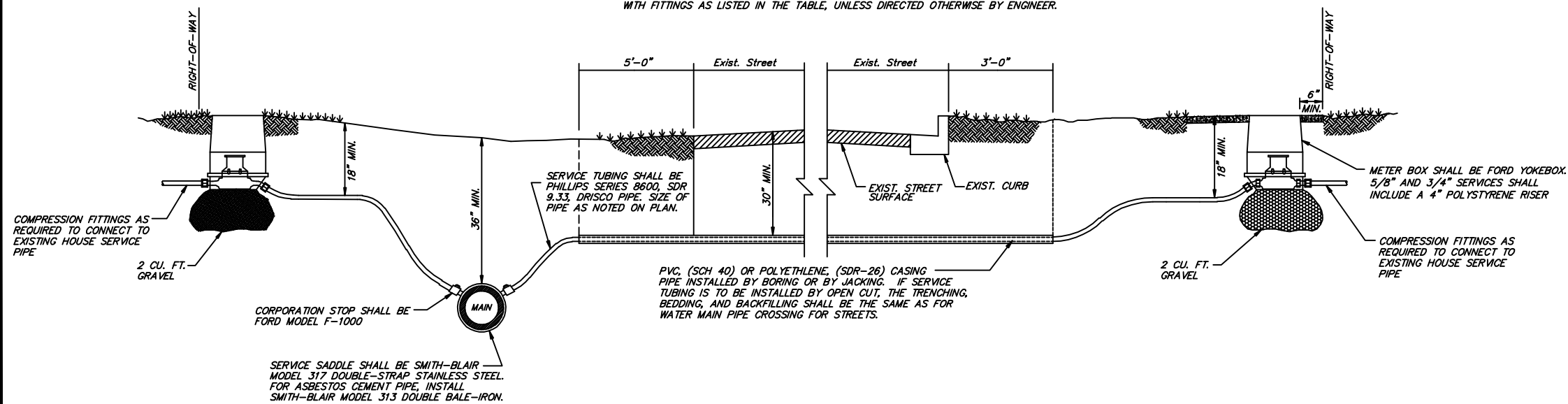
1 1/2" AND 2" SERVICE METER  
N.T.S.  
WA.2.2

NOTE:  
METERS UP TO 2" IN SIZE WILL BE SUPPLIED BY THE CITY OF FORT SMITH.

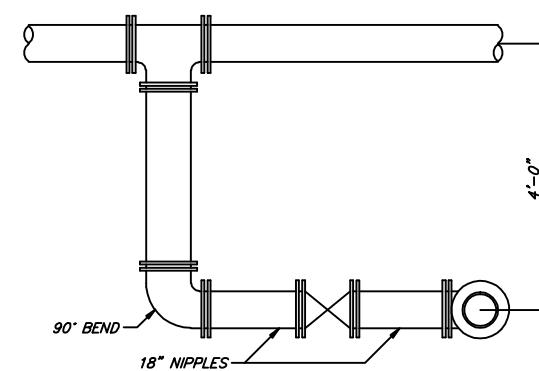
5/8", 3/4", AND 1" SERVICE METER SCHEDULE

SERVICE SIZE	SERVICE SADDLE TAP SIZE	CORPORATION STOP (FORD MODEL NO.)	SERVICE TUBING (PHILLIPS SERIES 8600, SDR 9.33, DRISCO PIPE)	METER BOX (FORD YOKEBOX MODEL NO.)	PVC, SDR-26 ENCASEMENT PIPE SIZE
5/8" SERVICE	1"	F-1000-4-G	1"	LYLBB144-C13745-004-NL* W/ A14 FITTING	2"
3/4" SERVICE	1"	F-1000-4-G	1"	LYLBB144-C13745-004-NL* W/ A34 FITTING	2"
1" SERVICE	1"	F-1000-4-G	1"	LYLBB144-C13745-004-NL*	2"

\* NOTE: FOR AN EXISTING SERVICE, METER BOX SHALL BE FORD LYLBB144-C13745-003-NL, WITH FITTINGS AS LISTED IN THE TABLE, UNLESS DIRECTED OTHERWISE BY ENGINEER.



5/8", 3/4", AND 1" SERVICE METER  
N.T.S.  
WA.2.3

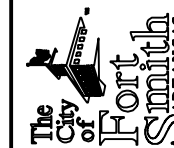


- NOTES:
1. ALL FITTINGS SHALL BE RESTRAINED JOINTS.
  2. SEE DETAIL W.2.1 FOR FIRE HYDRANT AND VALVE CONNECTION DETAIL INFORMATION.

PARALLEL HYDRANT LAYOUT  
N.T.S.  
WA.2.4

Revision	Date	By
Revised Detail WA.2.2	MAR-2016	MM
Revised Detail WA.2.3	MAR-2016	MM

Standard Drawings  
WATER SYSTEM IMPROVEMENTS  
Public Works Construction



CITY OF FORT SMITH  
Engineering Department  
623 Garrison Avenue, Room 409  
Fort Smith, Arkansas 72901  
Phone (479)784-2225 Fax (479)784-2245

Project:	Details
Date:	NOV 2012
Scale:	As Shown
Drawn By:	RBR
Dwg. No.:	WA2
Sheet No.:	39