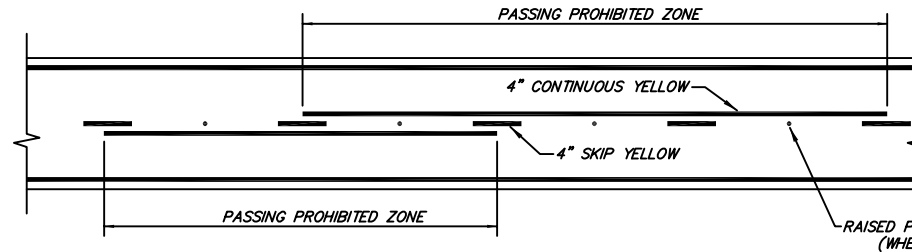
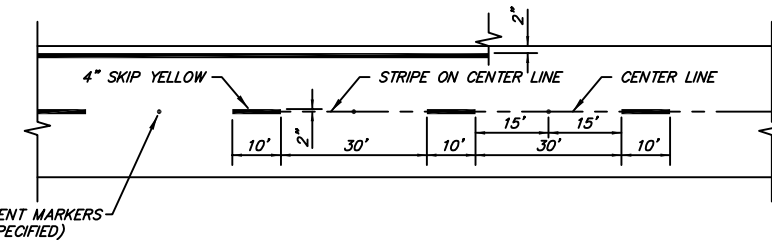


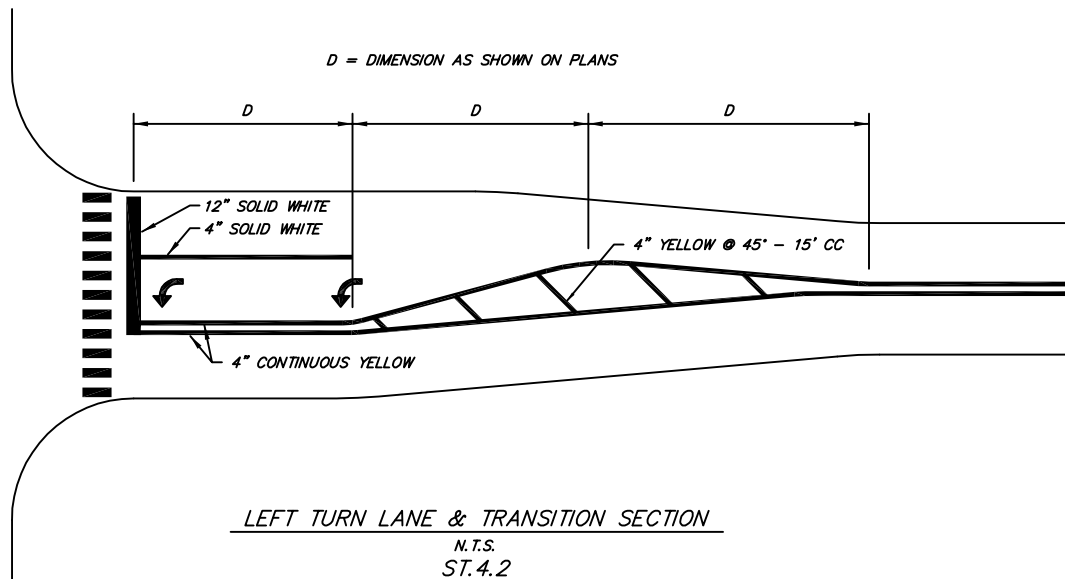
PASSING PROHIBITED



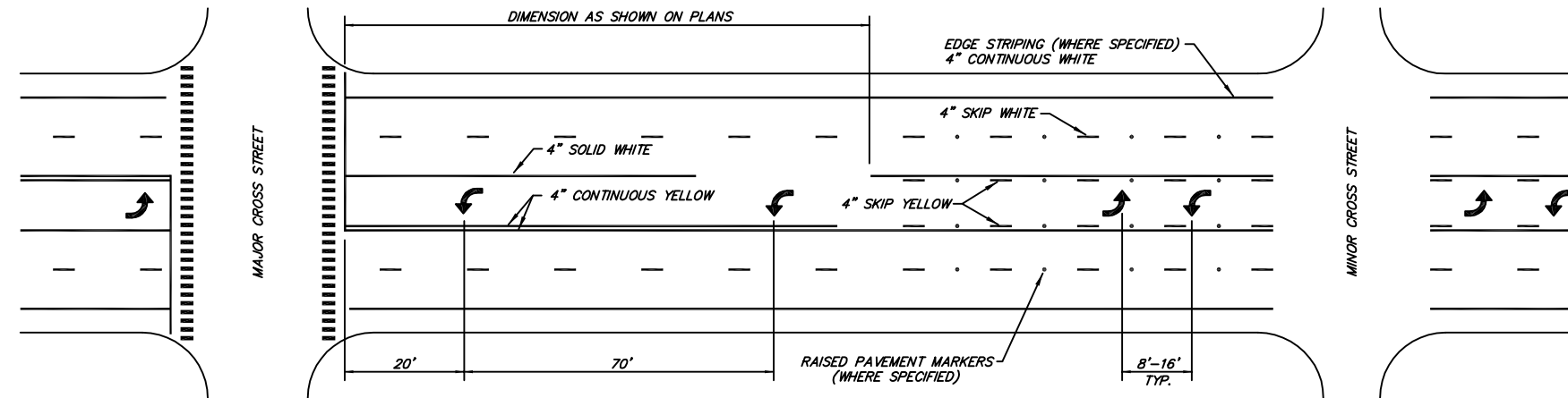
PASSING PROHIBITED
TWO LANE TWO WAY MARKING
N.T.S.
ST. 4.1



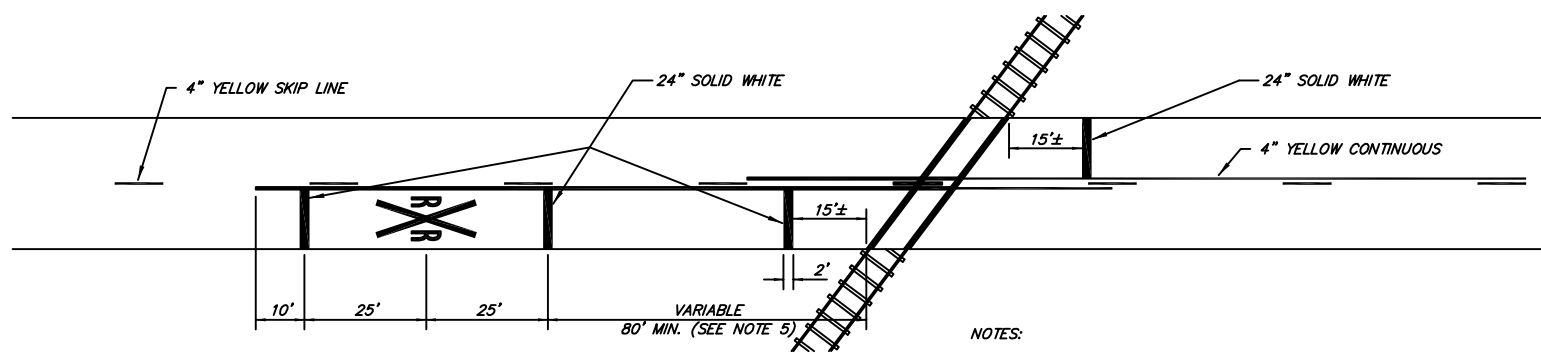
PASSING PERMITTED



LEFT TURN LANE & TRANSITION SECTION
N.T.S.
ST. 4.2

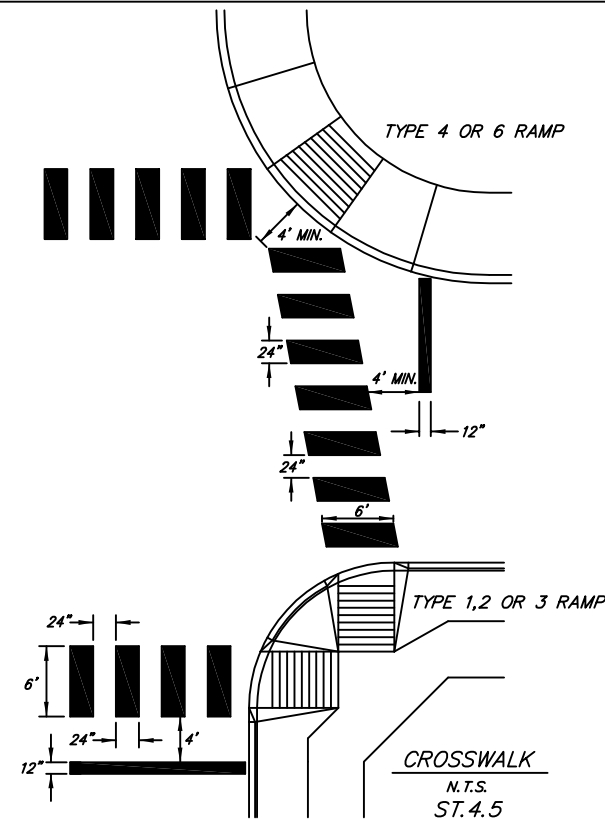


MULTI-LANE W/ LEFT TURN CHANNELIZATION
N.T.S.
ST. 4.3



- NOTES:
- ON MULTI-LANE ROADS, THE TRANSVERSE BANDS SHALL EXTEND ACROSS ALL APPROACH LANES. INDIVIDUAL RXR SYMBOLS SHALL BE USED IN EACH APPROACH LANE.
 - REFER TO STANDARD ALPHABET FOR HIGHWAY SIGNS AND MARKINGS FOR RXR SYMBOLS DETAILS.
 - PAVEMENT MARKING TO BE SYMMETRICAL ABOUT RAILROAD.
 - ALL RAILROAD CROSSING MARKINGS SHALL BE RETROREFLECTIVE WHITE.
 - DISTANCE OF RAILROAD CROSSING PAVEMENT MARKINGS FROM TRACKS TO BE IN ACCORDANCE WITH MUTCD AND AS SHOWN ON PLANS.

PAVEMENT MARKING FOR RAILROAD CROSSINGS
N.T.S.
ST. 4.4



CROSSWALK
N.T.S.
ST. 4.5

- NOTES:
- CONTRACTOR SHALL ESTABLISH PILOT LINING BY STRINGLINE OR OTHER METHOD TO PROVIDE STRIPING THAT WILL VARY LESS THAN 1/2" IN 50 FEET FROM THE SPECIFIED ALIGNMENT.
 - RAISED PAVEMENT MARKERS SHALL BE TYPE II (TWO-WAY) AND SHALL BE PLACED AS FOLLOWS:
LONGITUDINAL SOLID OR SKIP YELLOW LINES - YELLOW / YELLOW @ 40' CC
LONGITUDINAL SKIP WHITE LINES - CLEAR / CLEAR @ 40' CC
SOLID WHITE STORAGE LINES - CLEAR / CLEAR @ 20' CC
 - STRIPING ON CONCRETE PAVEMENT SHALL BE OFFSET 1" FROM LONGITUDINAL JOINTS.
 - CROSSWALK BARS TO BE 24" WIDE AND PARALLEL TO VEHICULAR TRAVEL DIRECTION. CROSSWALK BAR COLOR TO BE WHITE.
 - CENTER CROSSWALK ON ACCESS RAMPS.
 - STOP BARS TO BE 12" WIDE AND INSTALLED ONLY AT SIGNALIZED INTERSECTIONS AND STOP SIGNS. STOP BAR COLOR TO BE WHITE.

Revision	Date	BY

Standard Drawings - STRIPING
STREET IMPROVEMENTS - STRIPING
Public Works Construction



CITY OF FORT SMITH
Engineering Department
623 Garrison Avenue, Room 409
Fort Smith, Arkansas 72901
Phone (479)784-2225 Fax (479)784-2245

Project:	Details
Date:	NOV 2012
Scale:	As Shown
Drawn By:	RBR
Dwg. No.:	ST4
Sheet No.:	18

G:\DRAWINGS\00-Standard Details\2012\DWG\18-ST4.dwg 11/05/12-13:48 RBR