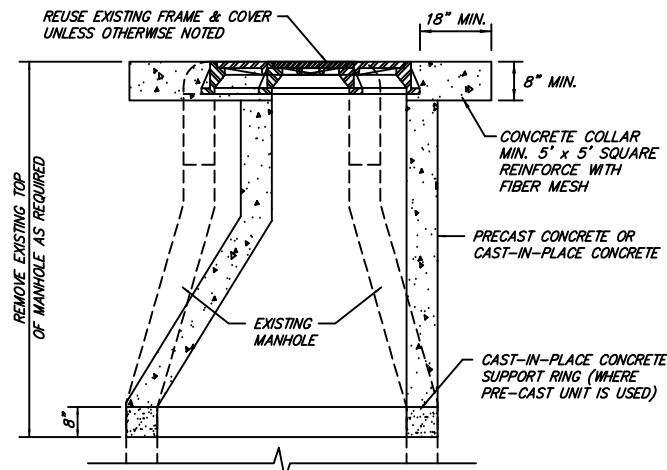
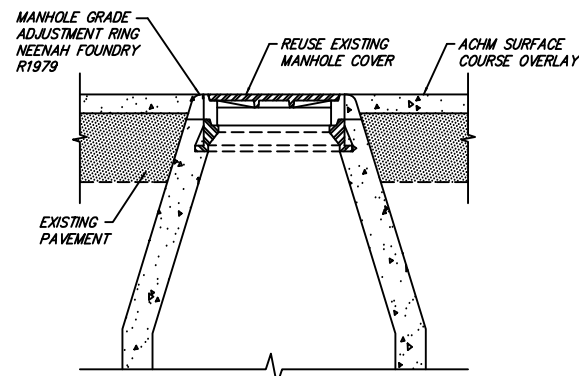


NOTE:
MANHOLE COVER SHALL BE INSTALLED FLUSH WITH PAVEMENT GRADE AND CROSS SLOPE.



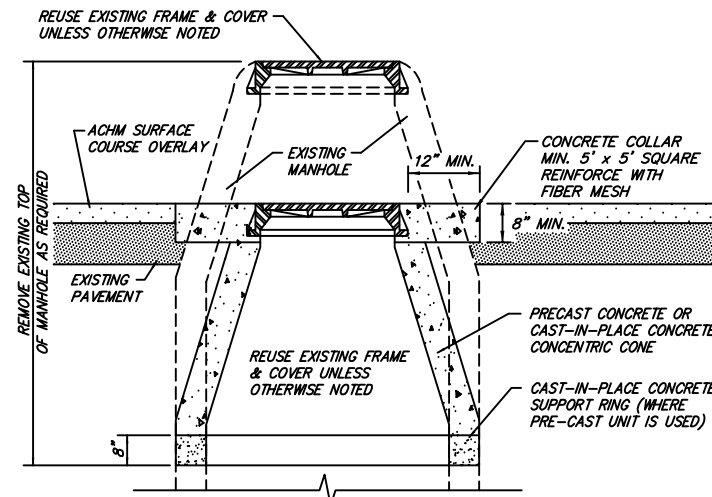
MANHOLE
OFFSET MODIFICATION
N.T.S.
SS.2.1

NOTE:
MANHOLE COVER SHALL BE INSTALLED FLUSH WITH PAVEMENT GRADE AND CROSS SLOPE.

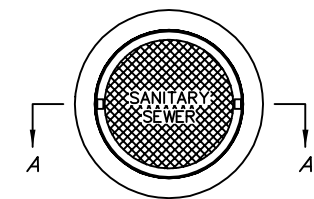


MANHOLE
GRADE ADJUSTMENT
N.T.S.
SS.2.2

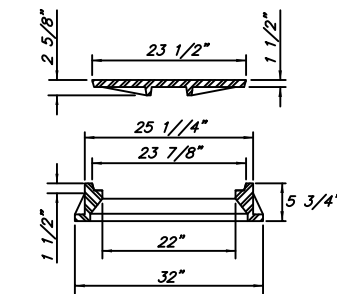
NOTE:
MANHOLE COVER SHALL BE INSTALLED FLUSH WITH PAVEMENT GRADE AND CROSS SLOPE.



MANHOLE
GRADE MODIFICATION
N.T.S.
SS.2.3



PLAN VIEW

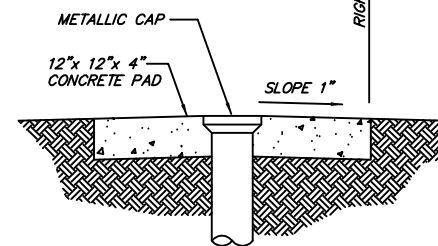


SECTION "A-A"

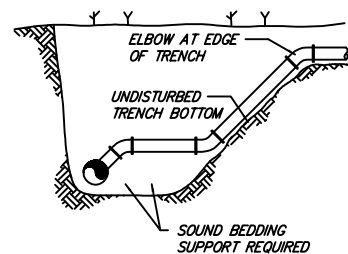
SANITARY SEWER
MANHOLE FRAME & COVER
N.T.S.
SS.2.4

ASSEMBLED
WEIGHT:
260 LBS.
EAST JORDAN IRON
WORKS 1348-1 OR
DEETER FOUNDRY
1266 FROM NEENAH

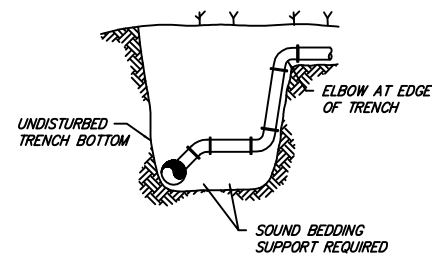
NOTE:
SERVICE CLEANOUT TO BE INSTALLED
ON ALL SEWER SERVICE LINES AT
RIGHT-OF-WAY LINE.



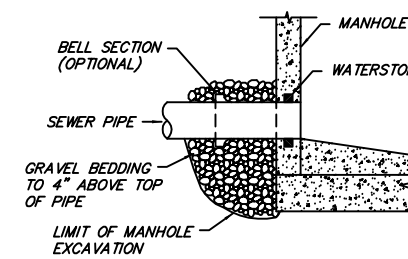
SEWER SERVICE CONNECTION
AND CLEANOUT COLLAR
N.T.S.
SS.2.7



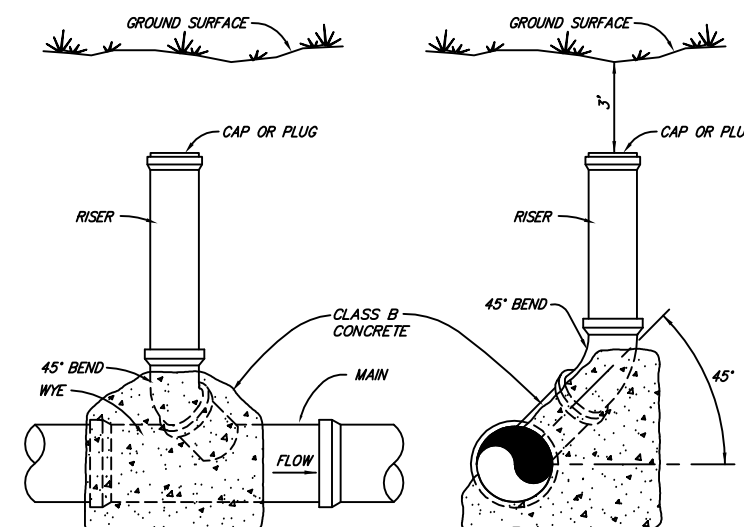
SEWER SERVICE
LATERAL CONNECTION
N.T.S.
SS.2.5



SEWER SERVICE
LATERAL CONNECTION
N.T.S.
SS.2.6



PIPE CONNECTION DETAIL
N.T.S.
SS.2.8



SERVICE RISER DETAIL
N.T.S.
SS.2.9

Revision	Date	BY

Standard Drawings
SANITARY SEWER IMPROVEMENTS
Public Works Construction



CITY OF FORT SMITH
Engineering Department
623 Garrison Avenue, Room 409
Fort Smith, Arkansas 72901
Phone (479)784-2225 Fax (479)784-2245

Project:	Details
Date:	NOV 2012
Scale:	As Shown
Drawn By:	RBR
Dwg. No.:	SS2
Sheet No.:	13

C:\DRAWINGS\00-Standard_Details\2012\DWG\13-SS2.dwg 11/09/12-13:43 RBR