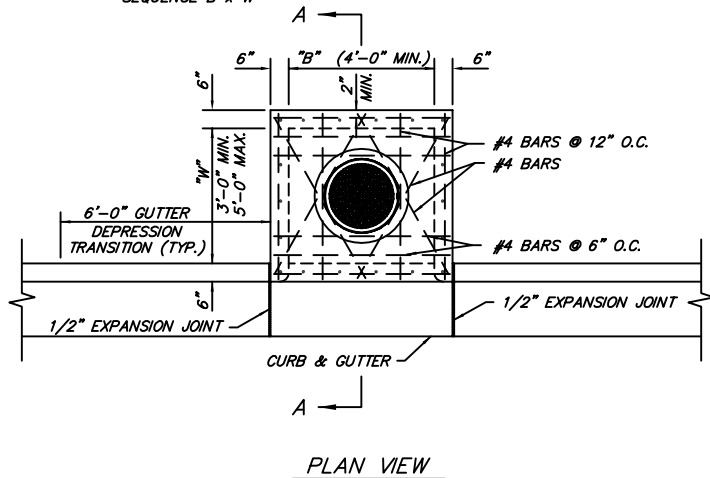
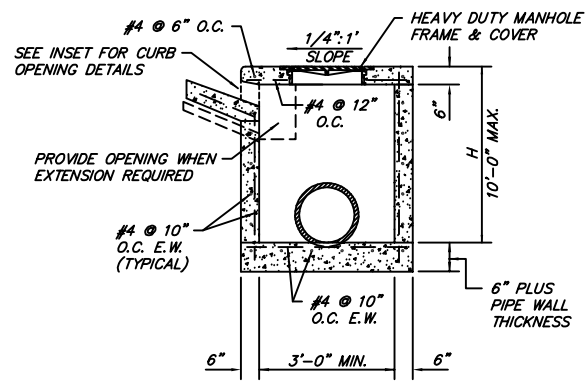


NOTE: REFERENCE TO INLET DIMENSIONS ON THE PLAN SHEETS IS IN THE SEQUENCE B x W

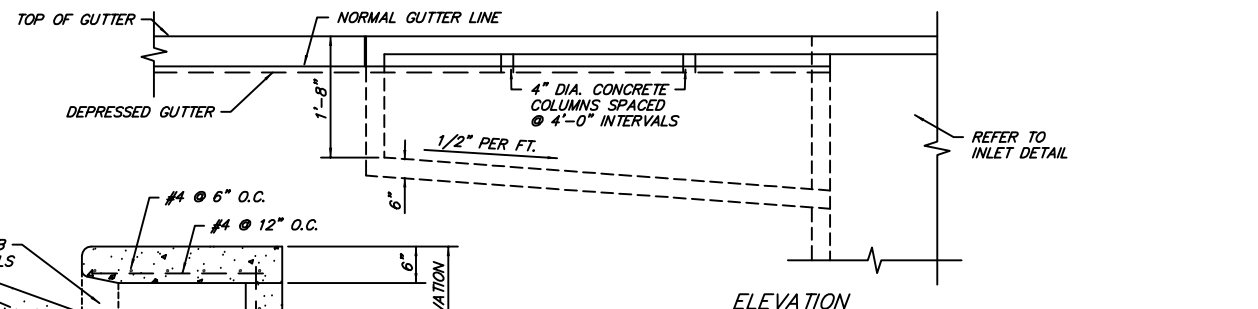


PLAN VIEW

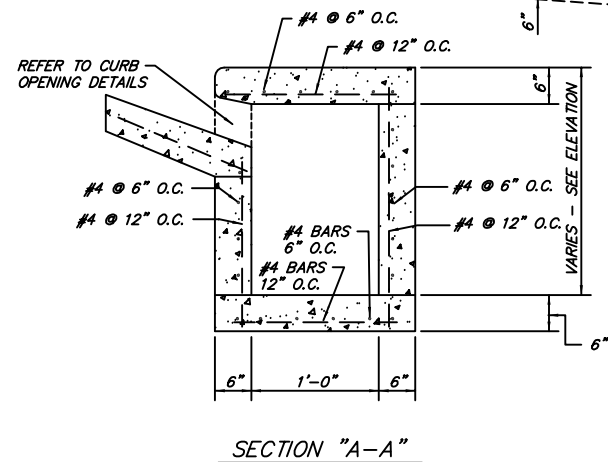
CURB INLET
TYPE "A"
N.T.S.
DR.1.1



SECTION "A-A"

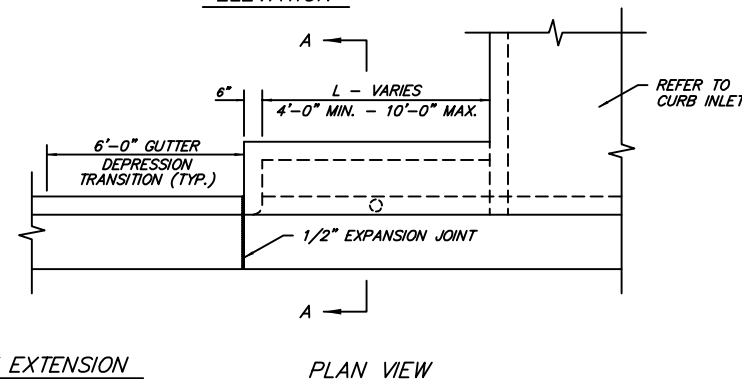


ELEVATION

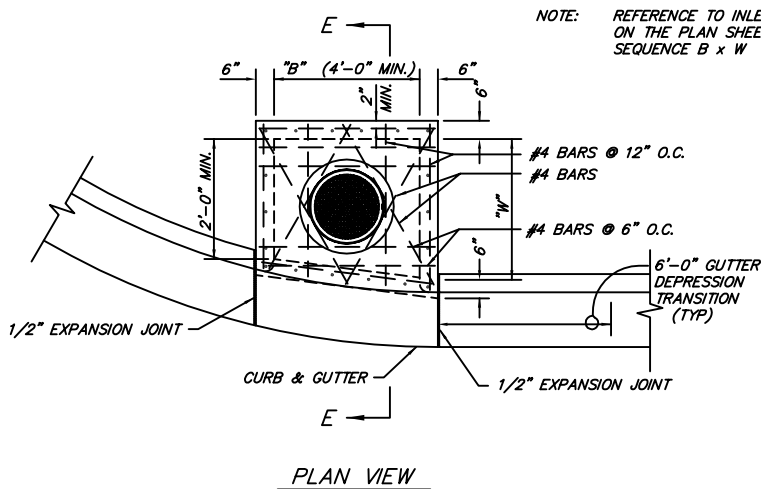


SECTION "A-A"

CURB INLET EXTENSION
N.T.S.
DR.1.2



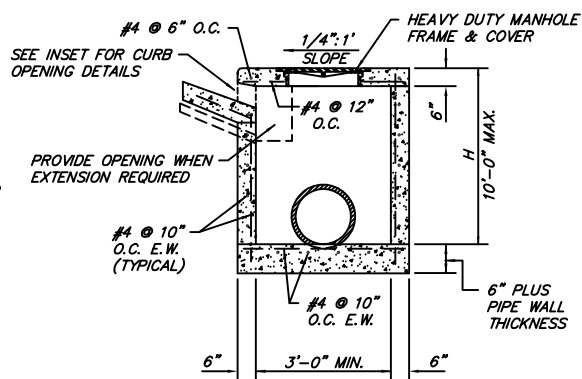
PLAN VIEW



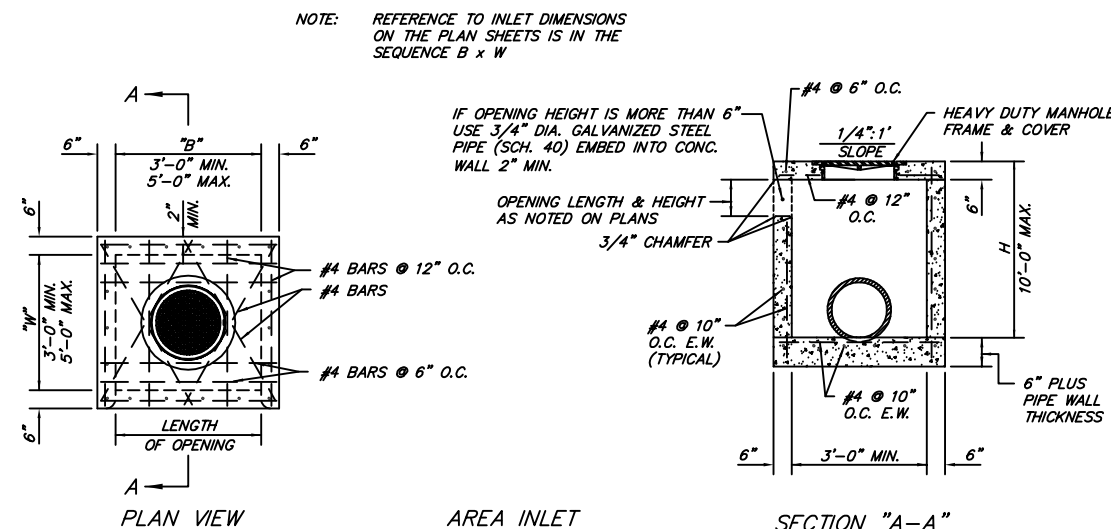
PLAN VIEW

NOTE: REFERENCE TO INLET DIMENSIONS ON THE PLAN SHEETS IS IN THE SEQUENCE B x W

CURB INLET
TYPE "B"
N.T.S.
DR.1.3



SECTION "E-E"



PLAN VIEW

AREA INLET
TYPE "H"
N.T.S.
DR.1.4

NOTE: REFERENCE TO INLET DIMENSIONS ON THE PLAN SHEETS IS IN THE SEQUENCE B x W

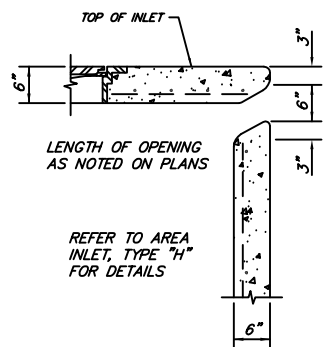
IF OPENING HEIGHT IS MORE THAN 6" USE 3/4" DIA. GALVANIZED STEEL PIPE (SCH. 40) EMBED INTO CONC. WALL 2" MIN.

OPENING LENGTH & HEIGHT AS NOTED ON PLANS

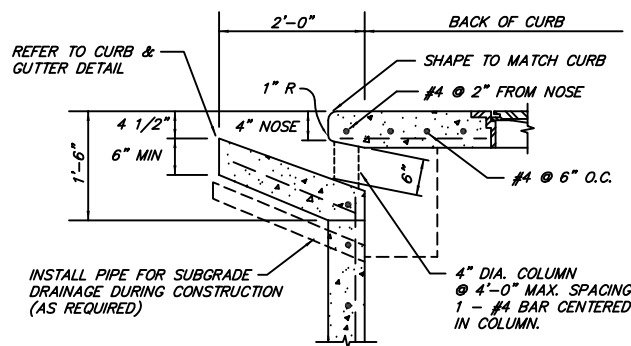
3/4" CHAMFER

#4 @ 10" O.C. E.W. (TYPICAL)

SECTION "A-A"



SIDE OPENING
TYPE "K"
N.T.S.
DR.1.5



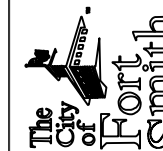
CURB OPENING
N.T.S.
DR.1.6

DRAINAGE DETAIL NOTES:

- ALL CONCRETE SHALL BE CLASS "AAA" 4000 psi.
- FORMED CONCRETE SURFACES EXPOSED TO VIEW SHALL BE GIVEN A CLASS 2 RUBBED FINISH. UNFORMED CONCRETE SURFACES EXPOSED TO VIEW SHALL BE GIVEN A CLASS 6 BROOMED FINISH.
- ALL EXPOSED CORNERS TO HAVE 3/4" CHAMFER.
- ALL REINFORCING BARS SHALL BE #4 AND HAVE A MINIMUM 1 1/2" COVER NEXT TO AIR, 3" NEXT TO GROUND UNLESS NOTED OTHERWISE.
- 2" DIAMETER WEEP HOLES TO BE INSTALLED IN THE INLET WALLS AS DIRECTED BY THE ENGINEER. OUTSIDE ENDS OF WEEP HOLE PIPE SHALL BE WRAPPED WITH FILTER FABRIC TO PREVENT SOIL INTRUSION INTO THE PIPE.
- CURB INLETS AND EXTENSIONS ON CURVED SECTIONS SHALL CONFORM TO THE CURVATURE OF THE CURB.
- DURING CONSTRUCTION OF THE ROADWAY, THE CONTRACTOR SHALL MAINTAIN DRAINAGE INTO OR AROUND THE DROP INLET AS APPROVED BY THE ENGINEER.
- PAYMENT FOR CURB AND GUTTER WITHIN THE LIMITS OF CURB INLETS AND EXTENSIONS WILL BE MEASURED AND PAID FOR SEPARATELY AS CURB AND GUTTER.
- PRECAST UNITS MAY BE USED FOR INLET BOTTOMS AND WALLS ONLY WITH ENGINEERS APPROVAL. TOPS MUST BE CAST-IN-PLACE. ADJUSTMENTS TO BOXES DUE TO GRADE CHANGES WILL BE AT NO COST TO THE OWNER.

Revision	Date	BY

Standard Drawings
DRAINAGE IMPROVEMENTS - INLETS
Public Works Construction



CITY OF FORT SMITH
Engineering Department
623 Garrison Avenue, Room 409
Fort Smith, Arkansas 72901
Phone (479)784-2225 Fax (479)784-2245

Project:	Details
Date:	NOV 2012
Scale:	As Shown
Drawn By:	RBR
Dwg. No.:	DR1
Sheet No.:	2